

Town of Grant Valkaria
1449 Valkaria Road
Grant Valkaria, FL 32950



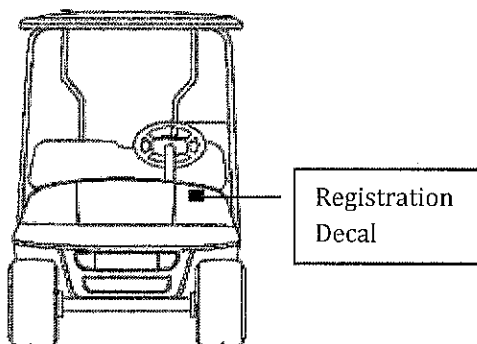
(321) 951-1380 Phone
(321) 956-5660 Fax

GOLF CART REGISTRATION PACKET

Dear Resident:

The package provides the information you will need to register your golf cart for use on selected Town streets. The registration package consists of a registration form and information on the rules and regulations governing golf cart use on public roads. In order to register your golf cart you will need to complete the following steps:

1. Complete the golf cart registration and sign where indicated.
2. The Town requires that you read and understand the Golf Cart Rules and Regulations that are attached. The information is also available at the Town Hall or may be viewed online at the Town's website at www.grantvalkaria.org.
3. A onetime \$25.00 registration fee. Once you have submitted payment you will receive a decal to place on the front upper left hand corner of the golf cart body. (See diagram below)
4. The registration is valid for the time period for which you own the vehicle and is non-transferrable to any other party or vehicle. If you move please notify Town Hall of the address change, as soon as possible.



Please remember that using golf carts on Town Streets is a privilege. There are rules that go along with this ordinance and failure to abide by the rules could result in getting a ticket from the sheriff's department, code enforcement action, or the Town Council reversing its decision to allow golf carts.

Town of Grant Valkaria
1449 Valkaria Road
Grant Valkaria, FL 32950



(321) 951-1380 Phone
(321) 956-5660 Fax

GOLF CART RULES AND REGULATIONS

The Town of Grant Valkaria has approved a program allowing the use of golf carts on streets within the town limits of Grant Valkaria. We ask for your assistance in making this program a continued success. Please obey all traffic laws. Please do not allow unauthorized individuals to operate your golf cart. Please respect other motorists by traveling as far right on the roadway as safely possible.

Registration: A *Golf cart* is defined under Florida Law as "A motor vehicle designed and manufactured for operation on a golf course for sporting or recreational purposes and that is not capable of exceeding speeds of 20 miles per hour." [Reference F.S. § 316.003(68) (2010), and 320.01 (22) (2010)]. To use a golf cart on Town streets, the golf cart must be registered with the Town. There will be a \$25.00 onetime registration fee and you will be required to place a decal on the front upper left hand corner of the golf cart body.

Equipment Requirements: Golf carts must be equipped with efficient brakes, reliable steering apparatus, safe tires, a rearview mirror, and red reflectorized warning devices on both the front and rear of the golf cart when operated on designated roads/streets. Golf carts that will be utilized between sunset and 10:00 p.m. and/or during conditions of rain, smoke, or fog must also be equipped with headlights, brake lights, tail lights, turn signals and a windshield in accordance with F.S. § 316.217.

Basic Rules for Operation: Golf Carts and operators are required to obey the following rules. Failure to comply with Town or State Law may result in the issuance of a ticket from the sheriff's department, code enforcement action, or the Town Council reversing its decision to allow golf carts.

- Golf carts are prohibited between the hours of sunset to sunrise unless equipped with the required headlights, brake lights, tail lights, turn signals then they may operate until 10:00 p.m.
- Golf carts are *prohibited* on the following streets:
Highway US 1
Babcock Street
Senne Road
Grant Road- except that golf carts may be operated on the south side of Grant Road on the unpaved grass shoulder where such unpaved shoulder is at least ten feet

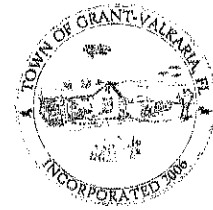
(10') in width or any paved path abutting the south side of Grant Road where such paved path is at least eight feet (8') in width or on the right-of-way segments where the posted speed limit is 35 miles per hour or less.

Valkaria Road- except that golf carts may be operated on the unpaved grass shoulder where such unpaved shoulder is at least ten feet (10') in width or any paved path abutting such road where such paved path is at least eight feet (8') in width or on the right-of-way segments where the posted speed limit is 35 miles per hour or less.

- There are only three designated golf cart crossings which include: Grant Road at Brabrook Avenue, Valkaria Road at Corey Road, and Valkaria Road at Tadlock Road & Old Dixie Highway.
- Golf carts can only be operated by a person 16 years of age or older.
- Golf carts must operate in accordance with all state, county or Town traffic regulations.
- Golf carts cannot operate on bicycle paths, ped-ways, or sidewalks.
- Golf carts cannot carry more passengers than the number of passengers which the golf cart was designed to carry.
- No occupants of a golf cart shall stand at any time while the golf cart is in motion
- Golf carts may only operate upon a designated street or road
- Golf carts must be registered with the Town.
- Golf cart must have a registration sticker on it. The registration sticker will be provided by the Town at time of registration.

THIS ORDINANCE DOES NOT APPLY TO ATV'S OR ROV'S OR ANY OTHER SIMILAR TYPE OF VEHICLE BESIDES A GOLF CART AS DEFINED BY FLORIDA STATUTE. ATV'S AND OTHER SIMILAR VEHICLES ARE PROHIBITED FROM OPERATING ON PUBLIC STREETS AND WILL BE TICKETED BY THE SHERIFF'S DEPARTMENT IF CAUGHT.

Town of Grant Valkaria
 1449 Valkaria Road
 Grant Valkaria, FL 32950



(321) 951-1380 Phone
 (321) 956-5660 Fax

GOLF CART REGISTRATION

Name: _____ GV Registration Decal #: _____

Address: _____

Golf Cart Manufacturer: _____ Serial or ID #: _____

I certify that all drivers operating the golf cart will be 16 years of age or older. I have received a copy of the rules, regulations and Ordinance No. 2011-05, 2014-05 and shall ensure that all drivers comply with the Town of Grant-Valkaria Golf Cart Rules and Regulations.

 Signature Date

REQUIRED EQUIPMENT	INITIAL HERE
Efficient Brakes	
Reliable Steering Apparatus	
Safe Tires	
Rearview Mirror	
Red Reflectorized Warning Devices On The Rear of Golf Cart	
Amber Reflectorized Warning Devices On The Front of Golf Cart	

The following items are required for use of golf carts between sunset and 10:00 p.m. and/or during the conditions of rain, smoke or fog.

REQUIRED EQUIPMENT	INITIAL HERE
Headlights	
Brake Lights	
Tail Lights	
Turn Signals	
Windshield	

RELEASE, INDEMNITY AND HOLD HARMLESS

THIS AGREEMENT ("Agreement") is dated _____, 201__ (regardless of when signed) and is by and between **TOWN OF GRANT-VALKARIA**, a Florida municipal corporation (**GRANT-VALKARIA**) and _____ (**INDEMNITOR**)

Agreement

NOW THEREFORE, in consideration of the mutual covenants and promises contained herein, the receipt and sufficiency of which is hereby acknowledged, the parties hereto agree as follows:

GRANT-VALKARIA agrees to allow the **INDEMNITOR** to operate a golf cart upon designated streets and roads in accordance with Ordinance No. 2011-05. In consideration the **INDEMNITOR**, his or her heirs, successors, assigns, guests, licensees, operators of registered golf carts, passengers of registered golf carts, Trustees, guardians, or personal representatives and anyone claiming by or through **INDEMNITOR** hereby absolutely releases and forever discharges **GRANT-VALKARIA** and it respective heirs, estates, officers, directors, council members, employees, agents, representatives, attorneys, managers, administrators, assigns, and successors from any and all claims, demands, damages, awards, judgments, expenses, actions, causes of action, penalties, proceedings, controversies, monies, accounts, compensation, contracts, promises, injuries to persons or property, fees, reimbursements, costs, debts, attorney fees, defenses, losses and liabilities of any nature liquidated or unliquidated, known or unknown, fixed or contingent, whether arising in contract, tort or at law or in equity for which he or she shall have now against **GRANT-VALKARIA** or which they may have in the future arising from or in any way relating to **GRANT-VALKARIA** allowing the **INDEMNITOR** to operate a golf cart upon designated streets and roads in accordance with Ordinance No. 2011-05 and for the **INDEMNITOR**'s conduct in the operation and use of a golf cart upon designated streets and roads in accordance with Ordinance No. 2011-05, including the negligence of **GRANT-VALKARIA**, for damages relating to or arising out of the of the **INDEMNITOR**'s operation and use of a golf cart upon designated streets and roads in accordance with Ordinance No. 2011-05. Furthermore, **INDEMNITOR** shall hold **GRANT-VALKARIA** harmless and in all respects indemnify **GRANT-VALKARIA** against all claims, demands, damages, awards, judgments, expenses, actions, causes of action, penalties, proceedings, controversies, monies, accounts, compensation, contracts, promises, injuries to persons or property, fees, reimbursements, costs, debts, attorney fees, defenses, losses and liabilities of any nature liquidated or unliquidated, known or unknown, fixed or contingent, whether arising in contract, tort or at law or in equity caused by the **INDEMNITOR**, including the negligence of the **INDEMNITOR** from the date of this agreement to the end of the world, including any such claims by third parties. Nothing herein shall be deemed or is intended to be a waiver of the limitations placed upon **GRANT-VALKARIA** as set forth in Section 768.28, Florida Statutes.

IN WITNESS WHEREOF, the parties hereunto have set their hands and seal the date written below.

	TOWN OF GRANT-VALKARIA
Indemnitor	By: _____
Date: _____	Date: _____